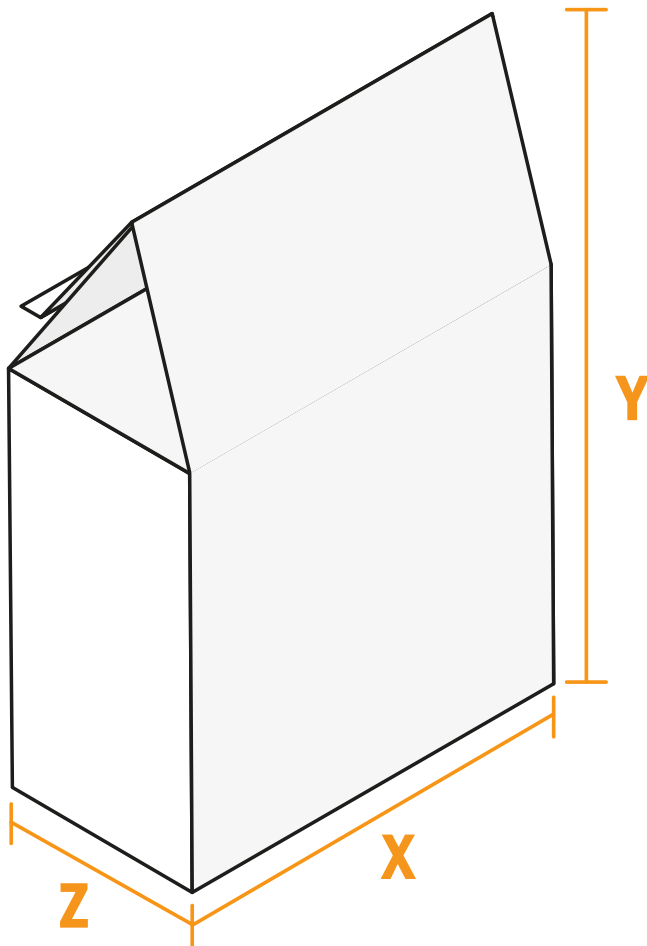


## Gable boxes with 1-2-3 bottom

Free format selection



**Z** width

**X** length

**Y** height

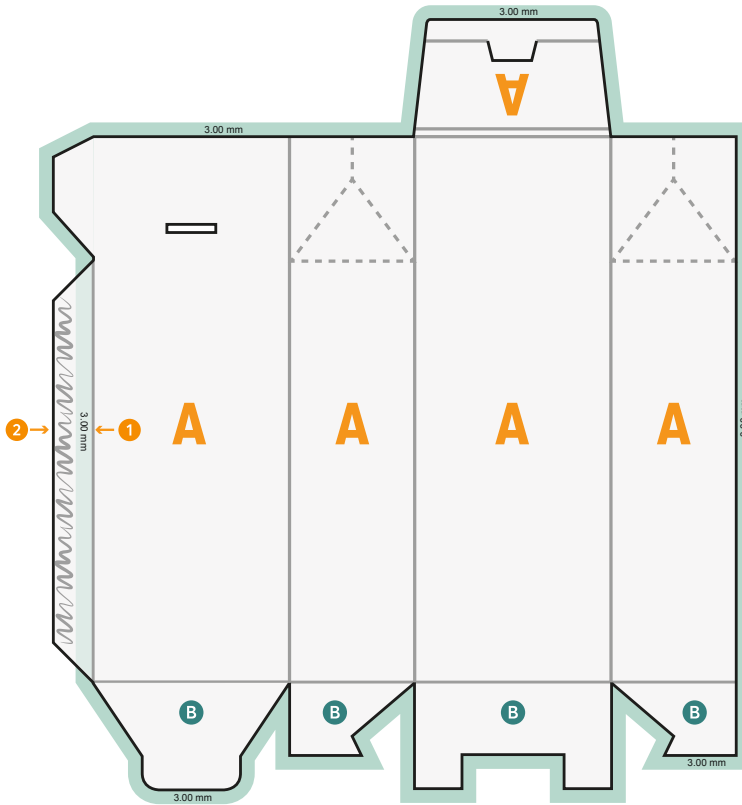
- Free format selection
- **Safety margin**  
Maintaining 4 mm space between the text/information and the edge of the trimmed format prevents undesirable cuts.

### Please note:

- Allow for trim allowance and safety margin according to instructions.
- Arrange background graphics, images or graphics up to the edge of the data format.
- Tolerances may occur during production due to cutting, punching and folding processes.
- This sketch is not drawn to scale.
- Printing data: Instructions and templates can be found under the menu item "Printing data" at [www.onlineprinters.com](http://www.onlineprinters.com).

## Gable boxes with 1-2-3 bottom

Free format selection



- B** Basement
- N** Invisible
- L** Limited visibility area
- bleed

- 1** The print design must protrude 3 mm into the inner edge of the adhesive flap (overfill)
- 2** The rest of the adhesive flap must remain unprinted
- 3** Bleed 3 mm on all sides
- 4** Black elements must be created with 100 % black only (e.g. barcodes such as EAN, QR-codes, text etc.)
- 5** Ink application 300 % max.

- Free format selection
- **Safety margin**  
Maintaining 4 mm space between the text/information and the edge of the trimmed format prevents undesirable cuts.

### Please note:

- Allow for trim allowance and safety margin according to instructions.
- Arrange background graphics, images or graphics up to the edge of the data format.
- Tolerances may occur during production due to cutting, punching and folding processes.
- This sketch is not drawn to scale.
- Printing data: Instructions and templates can be found under the menu item "Printing data" at [www.onlineprinters.com](http://www.onlineprinters.com).